

FlipJack FJ-500

CELL PHONE INTERFACE



NOTE

Use with any hand-held cell phone that incorporates a 2.5 mm hands free adapter jack

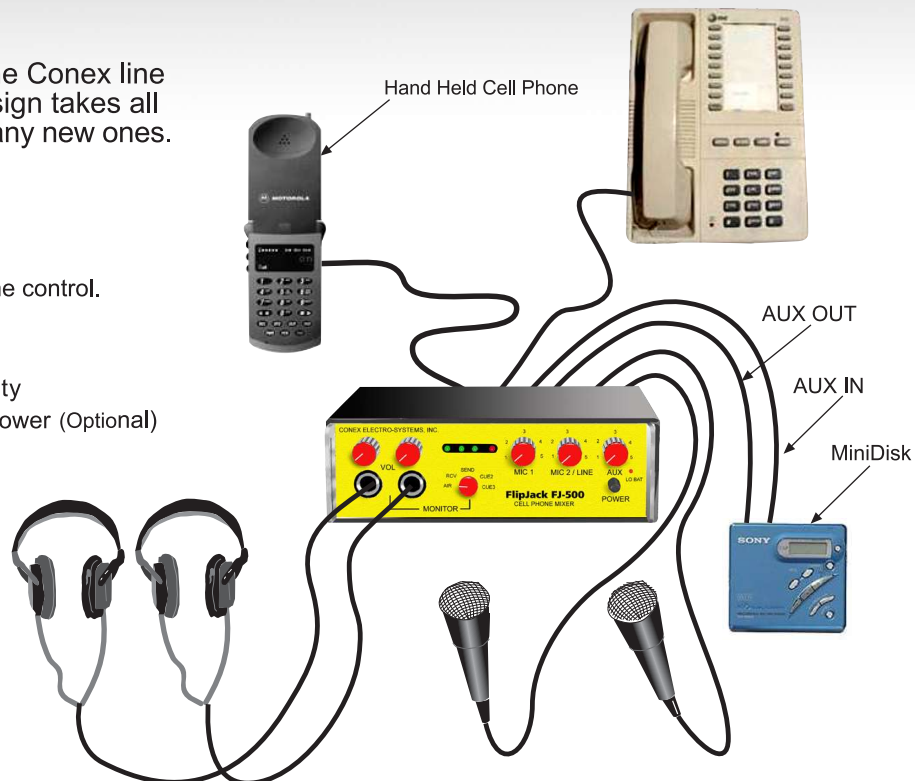
NOTE: Adapters are available for most phones that don't have the 2.5 mm Jack built in.

SLP: \$398.00

The FJ-500 FlipJack is the latest addition to the Conex line of cell phone interface products. The new design takes all of the features of the FJ-10 model and adds many new ones.

FEATURES:

- Two headphone jacks ... each with it's own volume control.
- Two Mic inputs and a separate Line Input
- Connection To A Standard Telephone Line.
- Separate headphone cue switch for more flexibility
- Operates on "AA" batteries (Included) or external power (Optional)
- Balanced Line Level Output
- Slots for shoulder straps.
- All IC's socketed for easy maintenance
- Tuner input for off-air monitoring
- LED level indicator



CONEX
ELECTRO-SYSTEMS

FOR MORE INFORMATION

www.conex-electro.com
1-800-645-1061

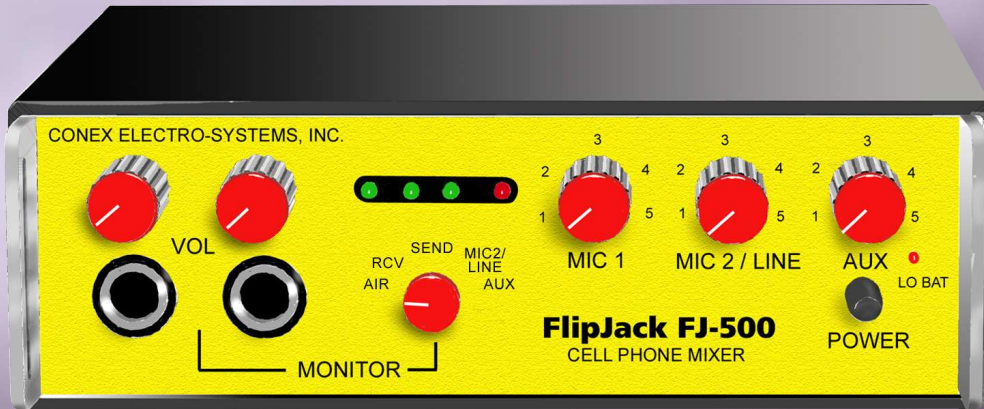
SPECIFICATIONS SUBJECT TO CHANGE WITHOUT NOTICE

1602 Carolina Street Bellingham WA 98226 360.734.4323 800.645.1061 www.conex-electro.com conex@conex-electro.com

V4.8
92802

FlipJack FJ-500

Ready For Action



SPECIFICATIONS

Audio Inputs

Mic 1
 Mic 2/ Line Level
 Aux Line Level Input
 Tuner Portable radio input

Audio Outputs

Aux Out Feed MiniDisk etc.
 Headphone Two Headphone jacks

Monitor Selector

Air For Off-Air monitoring
 Rcv Listen for cues from station
 Send Audio that is sent to the station
 Mic2/Line Audio coming from Mic2/Line
 AUX Audio coming from AUX input

Power

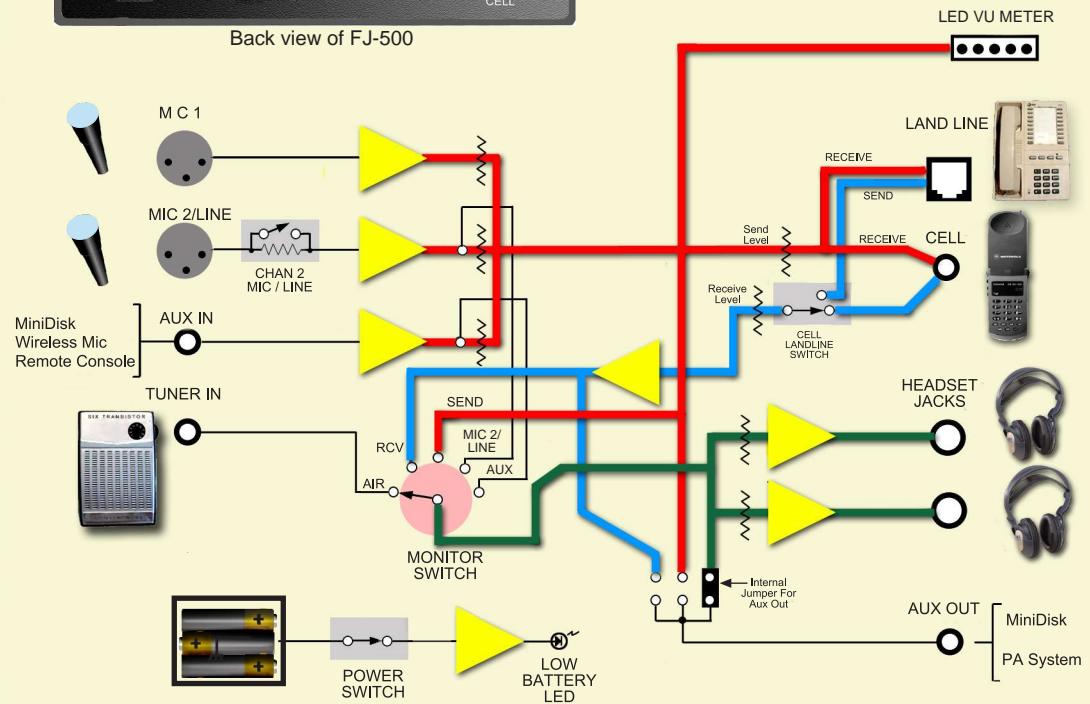
Batteries 3 'AA' Alkaline Batteries
 (30 hour operating time)
 External: 6 - 18 VDC

Size

4.5" W x 1.35" H x 4.0" D



Back view of FJ-500



CONEX
 ELECTRO-SYSTEMS